

Surface-mounted luminaire - Silky matt MIRO® micro-parabolic louvres - direct distribution

Sheet steel housing, compact rectangular cross section, installation height 40 mm; prepared for fixing of end faces or luminaire connectors made of steel. Housing colour traffic white RAL 9016; Light distribution direct distribution by means of Silky matt MIRO® micro-parabolic louvres of aluminium, Reflectivity-enhanced, with low installation height cross blades, self-engaging, continuous effect of louvres with light run installation. $65^\circ < 1500 \text{ cd/m}^2$ according to current standard DIN-EN 12464-1, UGR (4H/8H) 21. Master luminaire M5S5 with installed control unit and sensor; Wired ready for connection via 9-pin connection terminal with plug-in contacts. Light Control: netlife easyM5S5; Regiolux Classification: netlife easy; Control signal: DALI broadcast; Number of control gear (max): 32; Communication: Wired; Sensor technology: PIR - passive infrared; Installation height (min/max): 2m to 5m; Monitoring area: max. D=7m; Remote control: 84501041200; Optional remote control: 84501042100; Application: Office, Secondary rooms, Meeting rooms, Classrooms, Corridors; Function: Motion detection, presence detection, Daylight control, Manual dimming, Corridor function. Required accessories: please order end faces, connectors and through-wiring separately according to luminaire arrangements. Remote control for the commissioning and/or operation of the DALIeco (M5S5) light control system must be ordered separately

CHARACTERISTICS

Order number	84404026660
EAN number	4020863315505
Commodity code	94051190
Certification mark	IP 20, Protection class I, γ $65^\circ < 1500 \text{ cd/m}^2$, F, Indoor, CE
Impact resistance (IK rating)	IK03
Ambient temperatur	ta 25°C
Special properties	Ready for IoT
Warranty period	5 years
State funding programs	BEG - Federal funding for efficient buildings (valid only for Germany)

ELECTRICAL ENGINEERING

Controller	Electronic driver M5S5 DALI (1 pcs.)
System output	71W
Mains voltage	230V/50Hz
Circuit breakers (inrush current)	13 pieces/B10, 24 pieces/B16, 25 pieces/C10, 40 pieces/C16
Energy efficiency class/light source	B

LIGHTING TECHNOLOGY

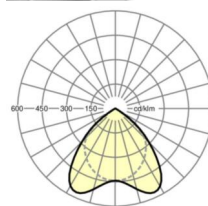
Placement	LED, Colour rendering/Light colour CRI $\geq 80 / 4000\text{K}$
Colour tolerance (MacAdam)	3SDCM
Nominal luminous flux	9181lm
LED service life	50000h L80/B10 (Tq 25°C)
Luminaire luminous efficiency	130lm/W
UGR lat./long.	21.0 / 20.2

MECHANICS

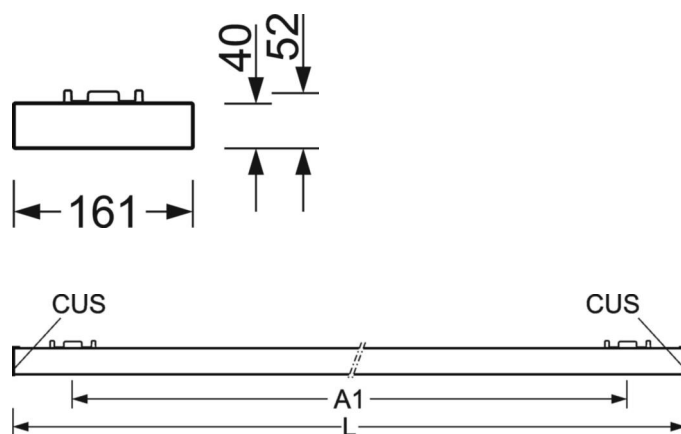
Housing colour	traffic white RAL 9016
Dimensions (LxWxDxH)	1479mm x 161mm x 54mm
Weight (net)	4.3kg
Cable entry KE (X/Y)	0mm/56mm
Type of installation	Ceiling-mounted single installation, Ceiling-mounted trunking installation, Pendant individual mounting, Pendant light strip mounting, Pendant light structure, Ceiling-mounted light structure, Pendulum mounting rail assembly on chain, Ceiling-mounted mounting rail installation, Ceiling-mounted mounting rail installation on T-system

DEEP-LINK

<https://www.regiolux.de/en/article/84404026660>

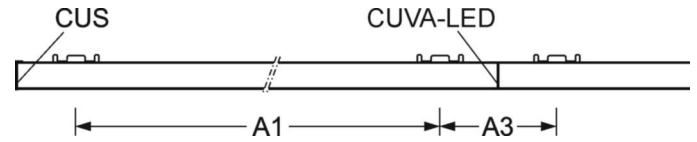


Reference	LED 9200lm 840
η_{LB}	100 %
$\Phi_{\downarrow/\uparrow}$	100 % / 0 %
UGR lat./long.	21.0 / 20.2
VDU	$65^\circ < 1500 \text{ cd/m}^2$



Dimensions

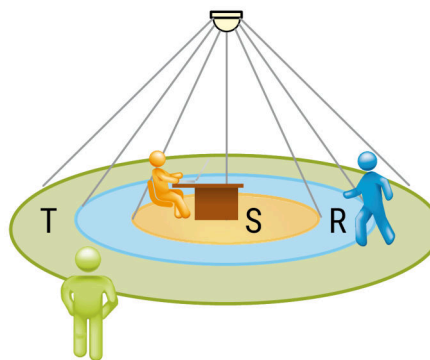
L	1479 mm	Length
B	161 mm	Width
H	54 mm	Height
A1	1300 mm	Mounting distance single mounting
A3	176 mm	Mounting distance between luminaires in a light run arrangement
X	0 mm	Distance cable infeed to the center of the luminaire on the X-axis
Y	56 mm	Distance cable infeed to the center of the luminaire on the Y-axis



LC SYSTEM

CHARACTERISTICS

Regiolux Classification	netlife easy
Control signal	DALI broadcast
Number of control gear (max)	32
Communication	Wired
Sensor technology	PIR - passive infrared
Installation height (min/max)	2m to 5m
Remote control	84501041200
Optional remote control	84501042100
Application	Office, Secondary rooms, Meeting rooms, Classrooms, Corridors
Function	Motion detection, presence detection, Daylight control, Manual dimming, Corridor function



MONITORING AREA

Mounting Height	2,5m	3,5m	5m
Ø max. sitting[S]	3,3m	5m	-
Ø max. radial[R]	5,3m	7m	7m
Ø max. tangential[T]	-	-	-

